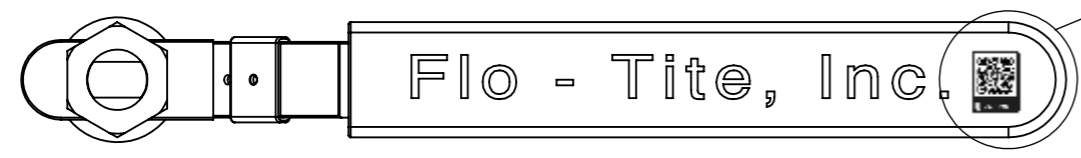


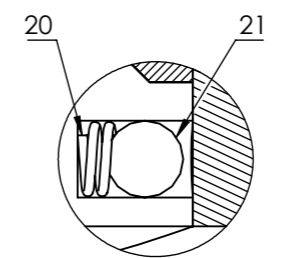
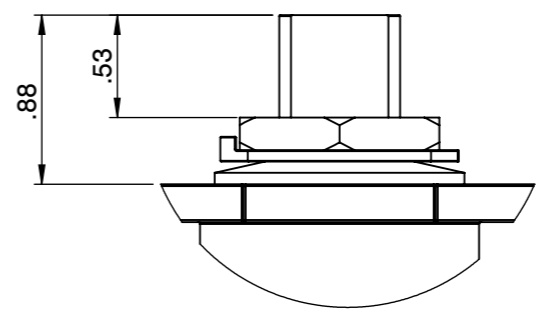
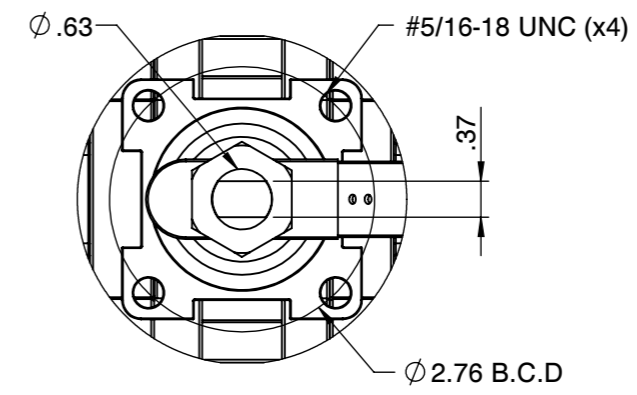
Tri-Pro Series **2250WOG** **WCB** **TFM Seat**
NON FIRE SAFE **SIZE 2"**

HPS41-CS-1-F-F-F-L-50

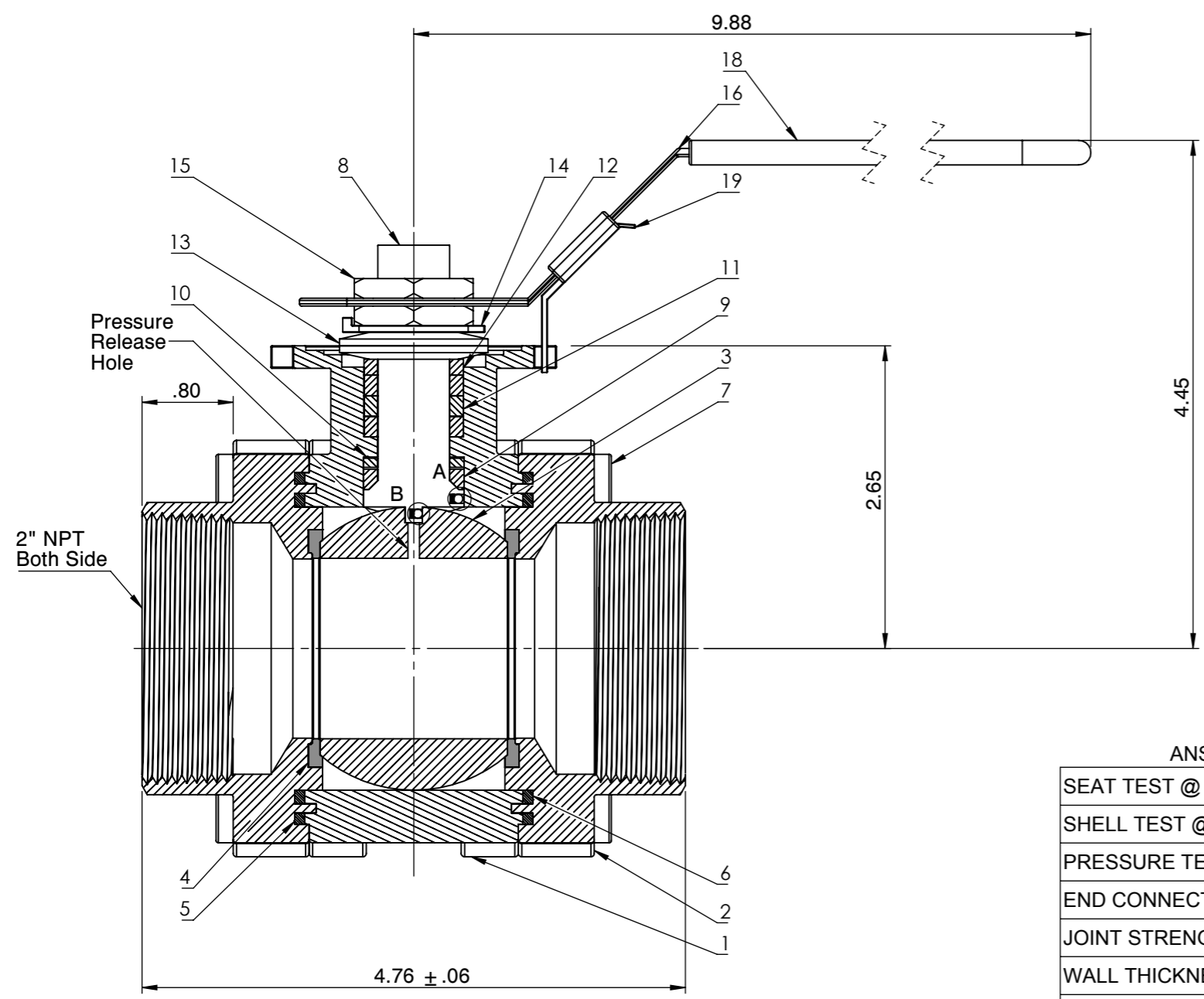


QR CODE

Actuator ISO Mounting Flange (F07)



DETAIL : A
 DETAIL : B



| NO | Name | Material |
|----|--------------------|--------------------------|
| 1 | Body | ASTM A216 WCB |
| 2 | Cap | ASTM A216 WCB |
| 3 | Ball | ASTM A351 CF8 |
| 4 | Seat | TFM |
| 5 | Gasket (Inner) | TFM |
| 6 | Gasket (Outer) | TFM |
| 7 | Bolt | EN3506 A2-70/ A193 B8 |
| 8 | Stem | 17-4PH |
| 9 | Thrust Bearing | Carbon PTFE |
| 10 | Thrust Washer | 50%SS PTFE |
| 11 | Stem Packing | TFM |
| 12 | Packing Follower | SS304 |
| 13 | Belleville Washer | SS301 |
| 14 | Tap Lock Washer | SS304 |
| 15 | Stem Nut | SS304 |
| 16 | Handle | SS304 |
| 17 | Stopper | SS304 |
| 18 | Plastic Cover | Plastic |
| 19 | Locking Device | SS304 |
| 20 | Anti-Static Spring | SS301 |
| 21 | Anti-Static Ball | SS316 |

ANSI PRESSURE RATING CLASS 600/2250 WOG

| | |
|-----------------------------|-------------|
| SEAT TEST @ 80~100 PSI | ASME B16.34 |
| SHELL TEST @ 2225 PSI | ASME B16.34 |
| PRESSURE TEMPERATURE RATING | ASME B16.34 |
| END CONNECTION | ASME B16.11 |
| JOINT STRENGTH | ASME B16.34 |
| WALL THICKNESS | ASME B16.34 |
| BASIC DESIGN | ASME B16.34 |

FOR CERTIFIED
 DRAWINGS CONSULT
 FACTORY

Drawn by : M Date : November 9, 2018 Scale : Not To Scale Rev : 0
 Checked by : M Date : November 9, 2018 Unit : Inch Sheet : xxx
 Approved by : M Date : November 9, 2018 Material : See Notes

Drawing Title: NPT 2" REDUCED BORE BALL VALVE
 Drawing No.: DT-HPS41CS1FFFL-50

FLO TITE™ 4815 W. 5th Street Tel : 910-738-8904
 Lumberton, NC 28358 Fax : 910-738-9112
 Website: www.flotite.com E-mail : flotite@flotite.com

REVIEW ALL STANDARD SOFT PARTS FOR APPLICATION COMPATIBILITY