

Tri-Pro Series **2250 WOG** **WCB** **TFM Seat**
FIRE SAFE API 607-7 **SIZE 3"**

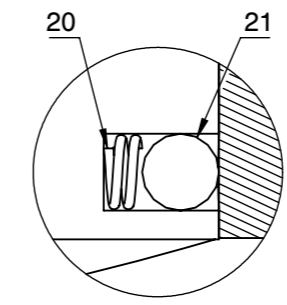
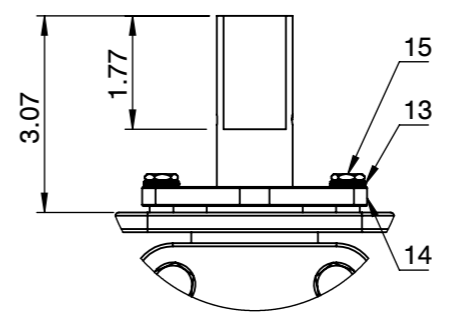
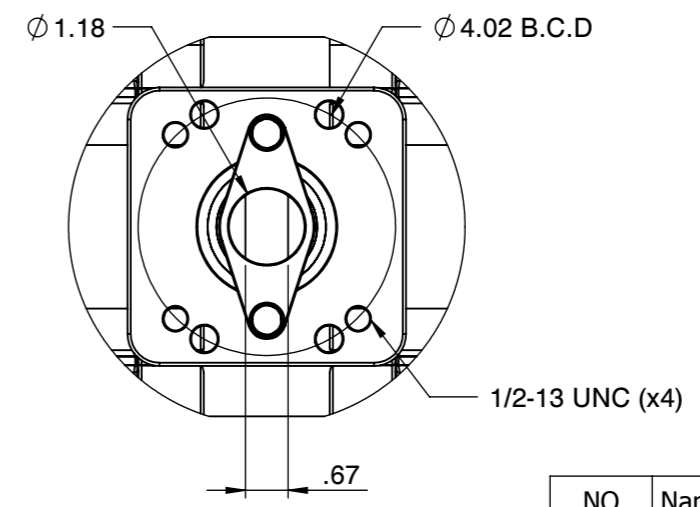
HPS41-CS-1-F-G-G-L-80



QR CODE

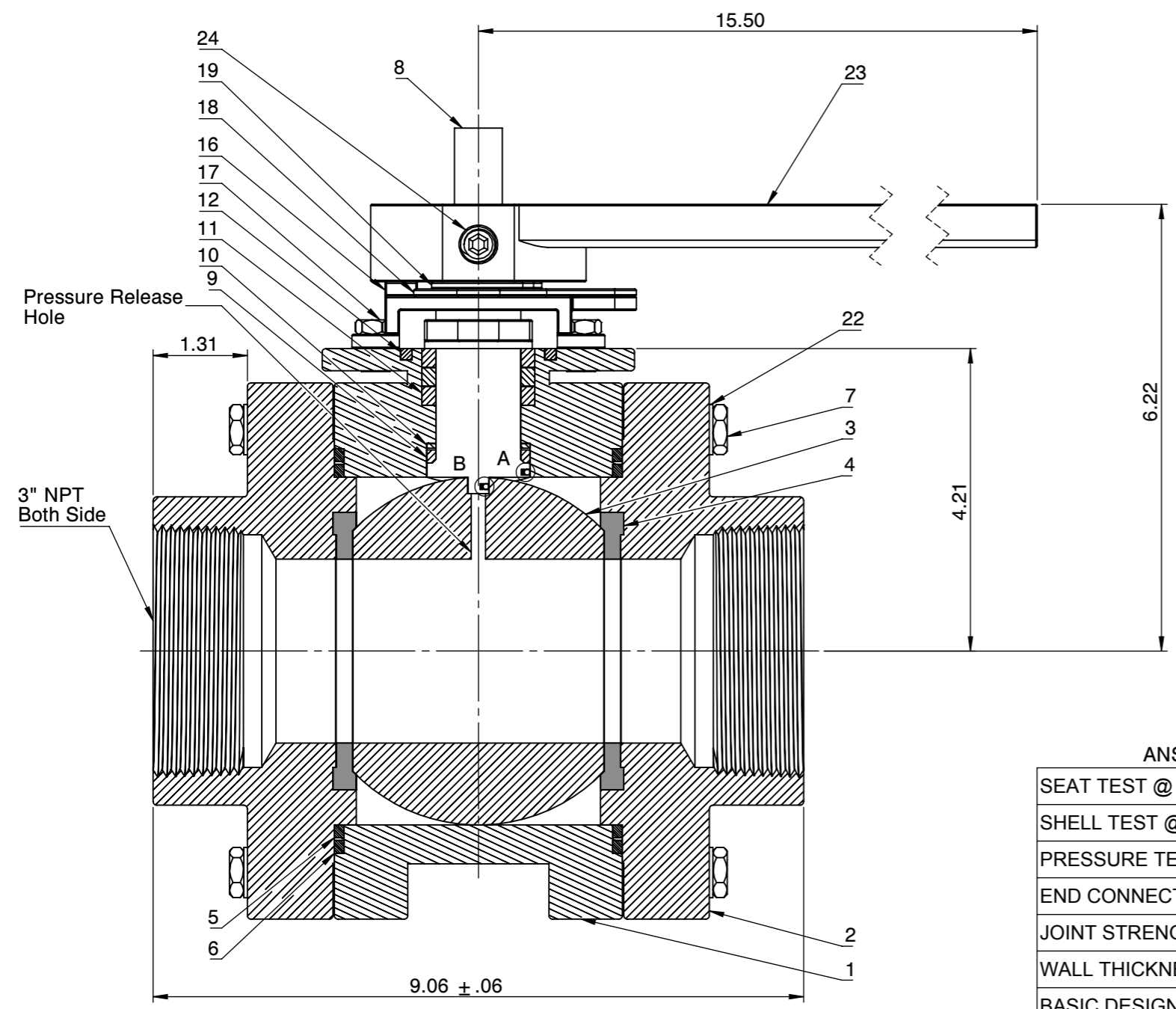


Actuator ISO Mounting Flange (F10)



DETAIL : A
DETAIL : B

| NO | Name | Material |
|----|--------------------|--------------------------|
| 1 | Body | ASTM A216 WCB |
| 2 | Cap | ASTM A216 WCB |
| 3 | Ball | ASTM A351 CF8 |
| 4 | Seat | TFM |
| 5 | Gasket (Inner) | TFM |
| 6 | Gasket (Outer) | Graphite |
| 7 | Bolt | EN3506 A2-70/ A193 B8 |
| 8 | Stem | 17-4PH |
| 9 | O-Ring | Viton |
| 10 | Thrust Washer | 50%SS PTFE |
| 11 | Stem Packing | TFM |
| 12 | Packing Follower | SS304 |
| 13 | Belleville Washer | SS301 |
| 14 | Packing Gland | SS304 |
| 15 | Gland Bolts | SS304 |
| 16 | Stop Housing | SS304 |
| 17 | Housing Bolts | SS304 |
| 18 | Travel Stopper | SS304 |
| 19 | Snap Ring | Nickel Plated C.S. |
| 20 | Anti-Static Spring | SS301 |
| 21 | Anti-Static Ball | SS316 |
| 22 | Spring Washers | SS304 |
| 23 | Handle | Ductile Iron |
| 24 | Set Screw | SS304 |



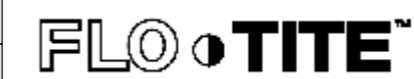
ANSI PRESSURE RATING CLASS 600/2250 WOG

| | |
|-----------------------------|-------------|
| SEAT TEST @ 80~100 PSI | ASME B16.34 |
| SHELL TEST @ 2225 PSI | ASME B16.34 |
| PRESSURE TEMPERATURE RATING | ASME B16.34 |
| END CONNECTION | ASME B16.11 |
| JOINT STRENGTH | ASME B16.34 |
| WALL THICKNESS | ASME B16.34 |
| BASIC DESIGN | ASME B16.34 |

FOR CERTIFIED
DRAWINGS CONSULT
FACTORY

| | | | | | | | |
|---------------|---|--------|------------------|------------|--------------|---------|-----|
| Drawn by : | M | Date : | November 9, 2018 | Scale : | Not To Scale | Rev : | 0 |
| Checked by : | M | Date : | November 9, 2018 | Unit : | Inch | Sheet : | xxx |
| Approved by : | M | Date : | November 9, 2018 | Material : | See Notes | | |

Drawing Title: **NPT 3" REDUCED BORE BALL VALVE**
 Drawing No.: **DT-HPS41CS1FGGL-80**



4815 W. 5th Street Tel : 910-738-8904
 Lumberton, NC 28358 Fax : 910-738-9112
 Website: www.flotite.com E-mail : flotite@flotite.com

REVIEW ALL STANDARD SOFT PARTS FOR APPLICATION COMPATIBILITY