

Flo-Tite, Inc.

Valves & Controls

SENTINEL™ VPT SERIES

Flo-Tite's MONITEUR SERIES the latest generation of valve monitoring

Specifications Model AMYB-5120

- HOUSING - Two 3/4" NPT Conduits
- COVER - Aluminum
- Seals - Buna N
- BEARING - Bronze
- SHAFT - One Piece 303 Stainless Steel
- FASTENERS - Stainless Steel
- SWITCHES - Mechanical SPDT 15A
- NUMBER OF SWITCHES - Two
- TERMINAL POINTS - Eight
- WEIGHT - 4.25 lbs
- OPERATING TEMP. - 40°F to 175°F
- COATING - Polyurethane



NEMA 7, 9 DESIGN
NAMUR Shaft Standard

APPROVALS:

Mechanical Switches

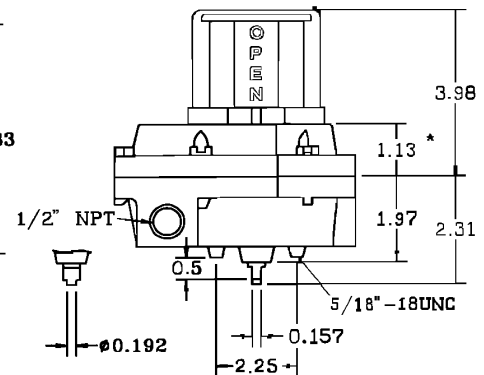
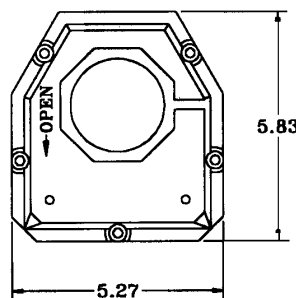
All Units rated NEMA 4, 4X, 7, 9

UL Class 1 Group C & D, Division 1 & 2
Class 2 Group E,F,G, Division 1 & 2

NIMROD SENSOR

All Units rated NEMA 4, 4X, 7, 9

UL Group A & B, Division 1 & 2
Class 1 Group C & D, Division 1 & 2
Class 2 Group E,F,G, Division 1 & 2



MONITEURS

Green/White
Red/White
Blue/White
Yellow/Black
3 Way Path ("O" Flow)
3 Way Path ("T" Flow)
3 Way Path ("F" Flow)
4 Way Path ("S" Flow)

SWITCHES

Mechanical SPDT
NIMROD Sensor SPDT
PRISM Contact SPDT
Mechanical DPDT
GO Switch SPDT
Proximity SPST
Proximity SPDT

VOLTAGE RATINGS

15A 125/250VAC
3A 110VAC 2A 24VDC
1A 125VAC
10A 125/250VAC 28VDC
4A 120VAC 50mA 24VDC
0.75A 200VAC
0.25A 175VAC

Flo-Tite's WATCHMAN™ VPT LIMIT SWITCH - MONITEUR SERIES

SPECIFICATIONS

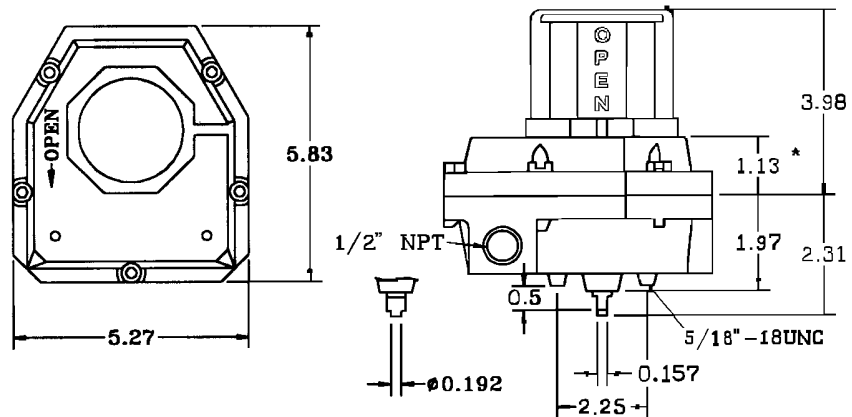
mechanical Switches
All Units rated NEMA 4, 4X

NIMROD SENSOR

All Units rated NEMA 4, 4X

MONITEURS

Green/White
Red/White
Blue/White
Yellow/Black
3 Way Path ("O" Flow)
3 Way Path ("T" Flow)
3 Way Path ("F" Flow)
4 Way Path ("S" Flow)



NEMA 4, 4X DESIGN
NAMUR Shaft Standard

SQ. BOLT PATTERN
* - Flat Cover Dimension

Features

All external Fasteners are corrosion resistant S.S. 316 and protected from damage through the use of shrouds and seals, effectively preventing the screw threads from contact with the atmosphere.

The Visual Indicator - BEACON employs a compression seal to prevent condensation and contaminants from entering and obscuring the display. The BEACON can be installed in any orientation on a valve.

All internal wiring is completely enclosed, preventing accidental grounding of live circuits.

SWITCHES

Mechanical SPDT	15A 125/250VAC
NIMROD Sensor SPDT	3A 110VAC 2A 24VDC
PRISM Contact SPDT	1A 125VAC
Mechanical DPDT	10A 125/250VAC 28VDC
GO Switch SPDT	4A 120VAC 50mA 24VDC
Proximity SPST	0.75A 200VAC
Proximity SPDT	0.25A 175VAC

Specifications Model FMYB-5120

- HOUSING - Two 1/2" NPT Conduits
- COVER - Aluminum
- Seals - Buna N
- MONITEUR - Yellow/Black
- BEARING - Bronze
- SHAFT - One Piece 303 Stainless Steel
- FASTENERS - Stainless Steel
- SWITCHES - Mechanical SPDT 15A
- NUMBER OF SWITCHES - Two
- TERMINAL POINTS - Eight
- WEIGHT - 3.0 lbs
- OPERATING TEMP. - 40°F to 175°F
- COATING - Polyurethane

OPTIONS

- Viton Seals
- Resistance Outputs
0-150 Ω, 0-1,000 Ω, 0-10,000 Ω
- Milli Amp Outputs
All Standards, polarity independent
- Two Piece Shaft
- Epoxy Coating
- Solenoid Valve
- Extra Terminals and Conduit Entries
- Standard One Piece Shaft
- BEACON Indicator

This brochure is general in nature and manufacturer reserves the right to alter materials or to make design improvements.