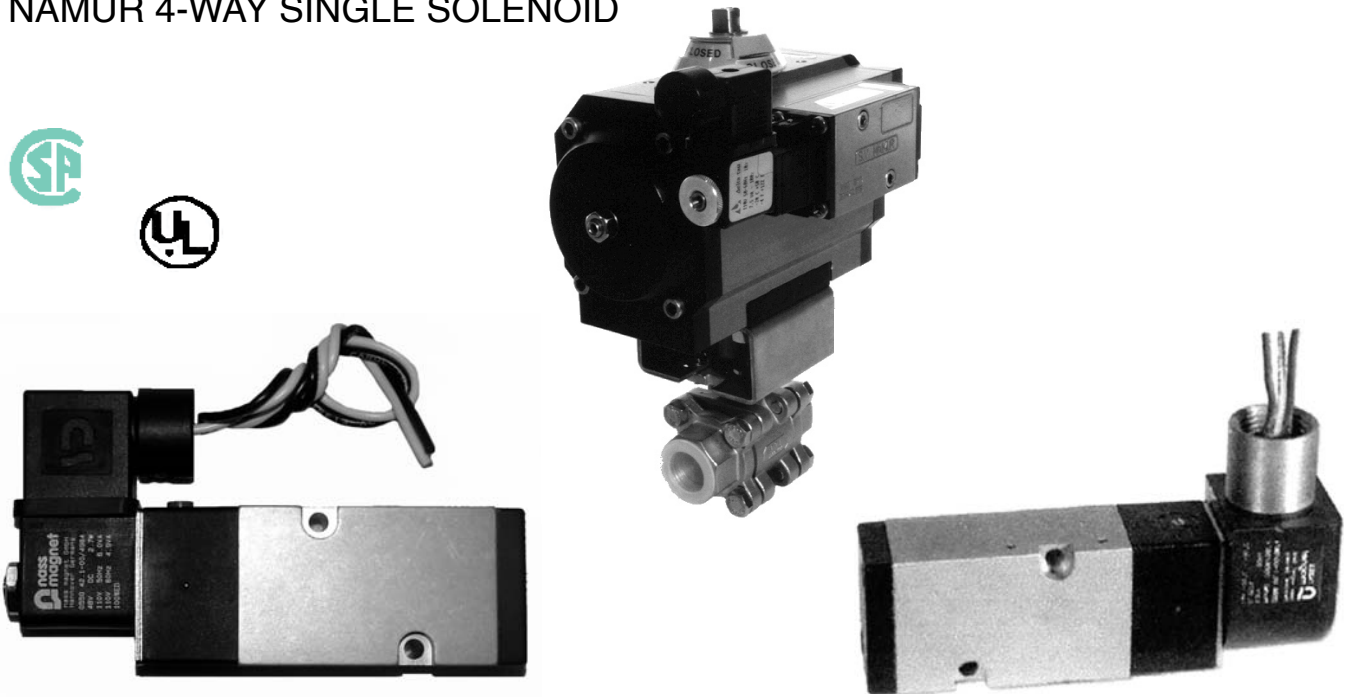


Flo-Tite, Inc.

Valves & Controls

AIR-CON SERIES - SOLENOID VALVES

NAMUR 4-WAY SINGLE SOLENOID



Namur Valves Standard and Explosion Proof

- **Model SV4, SV4-D**
NEMA 4, 4x LR 51090
 MH 13513
- **Model SV7 Explosion Proof**
NEMA 4, 4x, 7, 9 202633x
 Approved For Hazardous
Locations CL.I. Zone 1
Ex mII T4; AEx mII
CL.I; Div.1; GR. A,B,C,D
CL.II; GR. E,F,G
CL.III
T4 Ta= -20° C . . . +60° C
100% Duty Cycle

- Single Solenoid
Spring Return
- All Conduit Valves
Supplied with wire
leads
- Direct Mount Design

TEMPERATURE RANGE

- 35° - 130°F (normal)
- 0° - 130° F (with dry media)

OPTIONS AVAILABLE

Dual Coil Solenoids for Dribble
Control or Multi-Position
Actuators

CONDUIT CONNECTION

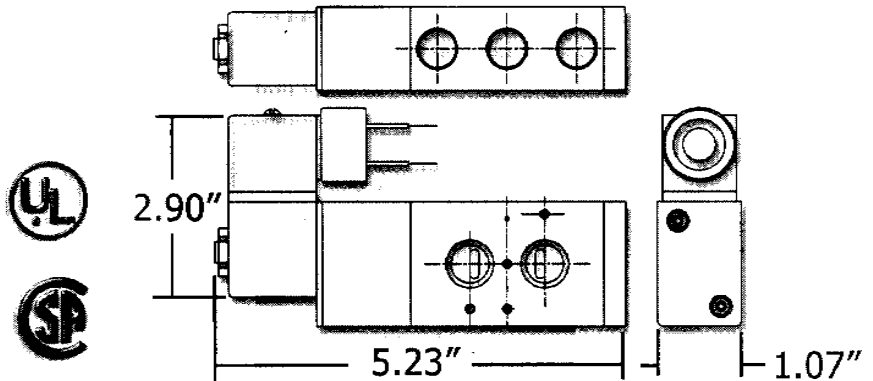
VALVE OPERATING DATA

NEMA - 4, 4x Watertight/Corrosion Resistant
Cv = 1.68
Pressure Range = 20 - 120 psig.
Ports = 1/4" NPT
Duty Cycle = 100% Continuous
Power Consumption = 2.5 watts

Model	Voltage	Inrush
SV4-1	110 VAC	62 mA
SV4-2	24 VDC	108 mA
SV4-12	12 VDC	204 mA
SV4-22	220 VAC	31mA
SV4-24	24 VAC	See*

*Consult Factory

TEMPERATURE RANGE: 35° - 130 F. (normal)
0° - 130° F. (with dry media)



DIN CONNECTION

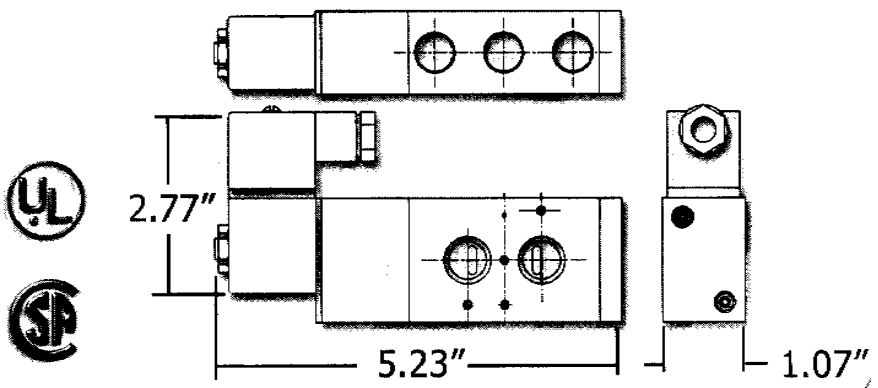
VALVE OPERATING DATA

NEMA - 4, 4x Din Connection
Cv = 1.68
Pressure Range = 20 - 120 psig.
Ports = 1/4" NPT
Duty Cycle = 100% Continuous
Power Consumption = 2.5 watts

Model	Voltage	Inrush
SV4-D1	110 VAC	62 mA
SV4-D2	24 VDC	108 mA
SV4-D12	12 VDC	204 mA
SV4-D22	220 VAC	31mA
SV4-D24	24 VAC	See*

*Consult Factory

TEMPERATURE RANGE: 35° - 130 F. (normal)
0° - 130° F. (with dry media)



EXPLOSION PROOF

VALVE OPERATING DATA

NEMA 7,9,4,4x Explosion Proof
Cv = 1.68
Pressure Range = 20 - 120 psig.
Ports = 1/4" NPT
Duty Cycle = 100% Continuous
Power Consumption = 2.5 watts

Model	Voltage	Inrush
SV7-1	110 VAC	62 mA
SV7-2	24 VDC	108 mA
SV7-12	12 VDC	204 mA
SV7-22	220 VAC	31mA

*Consult Factory

TEMPERATURE RANGE: 35° - 130 F. (normal)
0° - 130° F. (with dry media)

