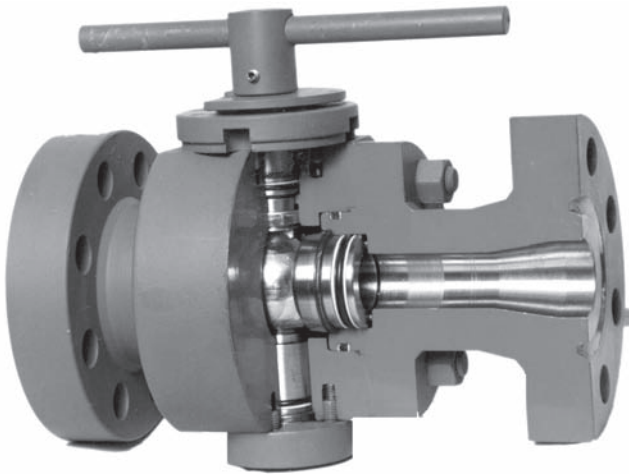


Flo-Tite, Inc.

Valves & Controls

A Guide To Manual And Automated Ball Valves



Fusible Link



Tank Bottom



Manual Limit Sw.

Ball Valves

From Simple to Complex Designs

- 1, 2, And 3 Piece Valves
- Instrumentation Valves
- 3 And 4 Way Multi-Port Valves
- Tank Bottom Valves
- Sanitary Valves
- Cavity Filled Valves
- Automated Valves
- V-Port Control Valves
- Fusible Link Valves
- High Temperature Metal Seats
- Trunnion Type Valves Size 2 Thru 36 Inch
ANSI Class 150 Thru 2500

Flo-Tite Offers A Complete Line Of High Quality Ball Valves
For Your Most Demanding Applications

Threaded Valves

Performance Series

Model T75 2PC Full Port
316 SS/WCB 1500 WOG
(Size 1/4 thru 3 inches)

2 PC Automation Design Ball Valve, high quality design, low cost ball valve. This series offers ISO type Mounting Pad, V-Ring Stem Packing, Live Loaded, Safety Locking Handle and Anti-Static Grounding Device. Ideal Valve for Automation. Secondary Containment and V-Ball Options

I-SO Mount



Flanged End Ball Valves

Full-Flo Series
Full Bore

Uni-Flo Series
Standard Bore

Flo-Tite offers a complete range of Flanged End Ball Valves in both Floating and Trunnion Type Designs. Available in both carbon, stainless steel, and many other special materials.

Design Features

- ISO Type Mounting Pad
- Safety Locking Handle
- Anti-Static Grounding Device
- Fire Safe-API 607 And NACE Requirements
- ANSI Class, 150, 300, 600 And 1500
- Special Metal Seats Meeting Class VI And Down
- Cavity Fillers Size 1/2 Thru 12 inch
- Complete Size Range 1/2 Thru 24 inch
- V-Ball Control Valves



Model F150 Full Port



I-SO Mount

Model SF150 Standard Port

3 PC Ball Valves

Multi-Choice series

This series is our most versatile design. Series 200/300 ball valves are offered in Threaded, Socket Weld, Butt Weld, Flanged End, and extended Weld Ends. The Valve center body is drilled and tapped for cap bolting to assure exact alignment.

Design Features

- 1500 WOG/150 WSP
- Live Loaded Stem
- V-Ring Stem Packing
- Anti-Static Grounding Device
- Size Range 1/4 Thru 12 inch
- I-SO-Mount Automation Pad
- Safety Locking Handle
- Wide Range Of Seating Materials
- V-Ball Control Valves
- Cavity Fillers
- Carbon, Stainless Steel And Many Other Special Materials
- Secondary Media Containment
- Flush Bottom Tank



Cap Screws
Make the
Difference

I-SO Mount

Multi-Port 3 And 4 Way

I-SO Mount

Flo-Tite offers a wide selection of multi-port ball valves designed to simplify piping systems, eliminating the need for 2 or more standard valves. The Valve has a one piece Ball/stem with a trunion type Ball Support, T, L, or LL Flow Plans. I-SO-Mount Actuator mounting pad is standard.



Model MPT 100

Model

MPF 15
MPF 30
MPT 100
MPC 100

Size Range

Threaded 1/4 thru 3 inch
Flanged 150/300 3/4 thru 12"

Type

150 LB. Flanged End
300 LB. Flanged End
800 WOG Threaded End
Tri-Clamp Ends



Model MPF 15

Multi Choice Sanitary Designs

I-SO Mount

Offering both Tri-Clamp and Extended Tube Bore connections. The ball and end tube bore connections have the same I.D. as the tube piping system.

- 30-35 RA surface finishes
- Solution cleaned and bagged
- Electro-polish
- C.I.P. clean in place
- All stainless steel hardware
- Cap screws body design
- Size range 1/2" through 4"



Model 350



Model 370

Tri-Pro Series

I-SO Mount

High pressure 3 Piece Series built for demanding applications such as petrochemical, power, oil and gas, pulp and paper, and many other industrial process applications.

- 1/4" thru 2 1/2" 2250 PSI
- Fire safe designed to API 607-4
- ANSI B16.4
- Protected Seat design
- Weld-in Place Socket & Butt Weld
- Flanged End Class 150, 300 & 600



High Pressure - Hydroflo Series

Rugged construction - Forged body
This heavy duty valve is built for hydraulic and petro-chemical applications.
3000 WOG - Full Port - 1/4" - 3"
Fire Safe Design to API 607-4

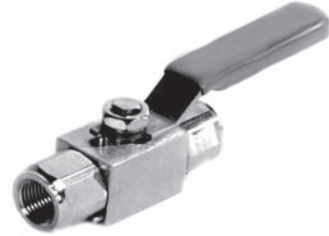
I-SO Mount



Instrumentation IS - Series

Ideal design for most instrumentation and high pressure applications. Available in 2 and 3 way designs and other special manifold types.

Models	IS60	6000 PSI	1/4"-1"
	IS100	10,000PSI	1/4"-3/4"
	IS150	15,000 PSI	1/8"-1/2"



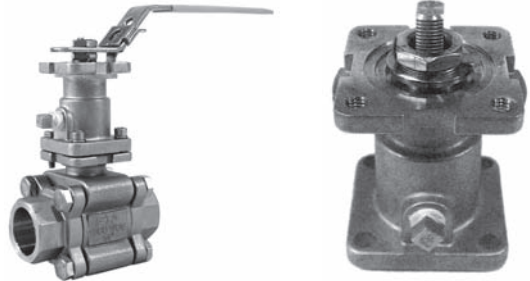
In addition to the models shown in this guide, Flo-Tite can also supply many other types of ball valves including low cost bronze valves, special alloys, and high temperature custom designed valves manufactured to meet your requirements.

Valve Seating

Flo-Tite's Super-Tek (TFM) seats are provided as standard in most of our ball valves, Super-Tek offers low torque with temperatures reaching over 500° F.

Optional Seats

Full metal, 50% metal, virgin TFE, UHMWP, Super-Tek II, Peek, Reinforced TFE, Body Cavity Fillers in most seating materials.



Media Containment Cap

Available for most models

Automation Air-Con Series

Flo-Tite's Air-Con series offers a complete line of Pneumatic & Electric actuators. Both 90° and 180° rotation is available. Modulating Actuators are available for our V-Ball Control Valves.

Accessories:

- 3 And 4 Way Direct Mount Solenoid Valves
- Limit Switches
- Speed Controls
- 4-20 MA And 3-15 PSI
- Manual Override
- Lock Out Devices
- Pneumatic And Electric Pneumatic Positioners

